

CAP 200/250



HawkeyePedershaab's CAP Machine is an extremely versatile machine that manufactures a wide range of concrete products.



Technology that Works.

The CAP Machine is designed to reliably manufacture quality concrete products. All the manufacturing steps are performed under complete control.



Productive.

Utilizes the "vertical cast" production process to permit continuous output with a single form. Multiform capability allows output to be multiplied as desired.

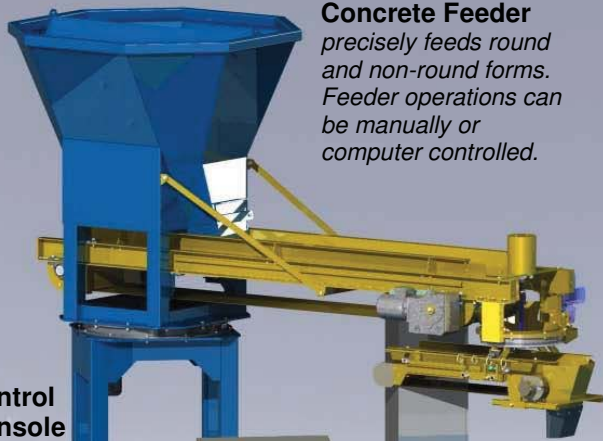


Versatile.

The CAP Machine can be installed with one or two production stations, each producing a different product. Manufacture pipe, lined pipe, manholes, and catch basins up to 2000mm diameter x 2.5M lengths.

Toll Free:
+1-800-626-1451
Phone:
+1-319-394-3197
Fax:
+1-319-394-3977
Email:
info@hawkeye-
pipe.com
Web:
www.hawkeye-

CAP 200/250



Concrete Feeder
precisely feeds round and non-round forms. Feeder operations can be manually or computer controlled.

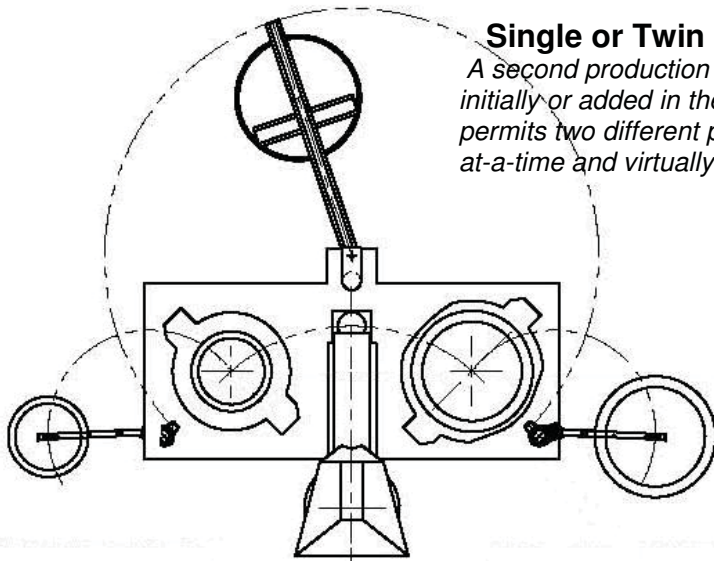
Control Console
permits a single machine operator to control the entire machine process.

Powered Presshead
presses and oscillates to form the product's spigot. Presshead rotates to serve one or two production stations. Presshead is designed to use a master spigot former or stay-in-place headers for the manufacture of precision joints.

Hydraulic Unit
provides hydraulic power for the machines concrete feeder and presshead system.

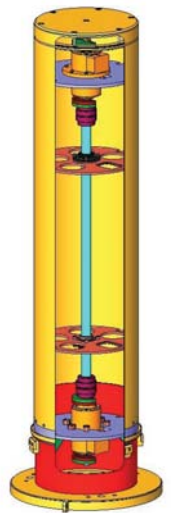


Adjustable Height Production Base
Elevating production base positions various length form sets at the same working elevation. (Available upon request.)



Single or Twin Station Capability.
A second production station can be installed initially or added in the future. Second station permits two different pipe sizes to be produced at-a-time and virtually doubles machine output.

Synchronized Core Vibration Forms
mount to machine's production base with a simple two-pin connection. Simple mounting style and dedicated internal core vibrators permit fast form changeovers.



Toll Free:
+1-800-626-1451
Phone:
+1-319-394-3197
Fax:
+1-319-394-3977
Email:
info@hawkeye-
pipe.com
Web:
www.hawkeye-