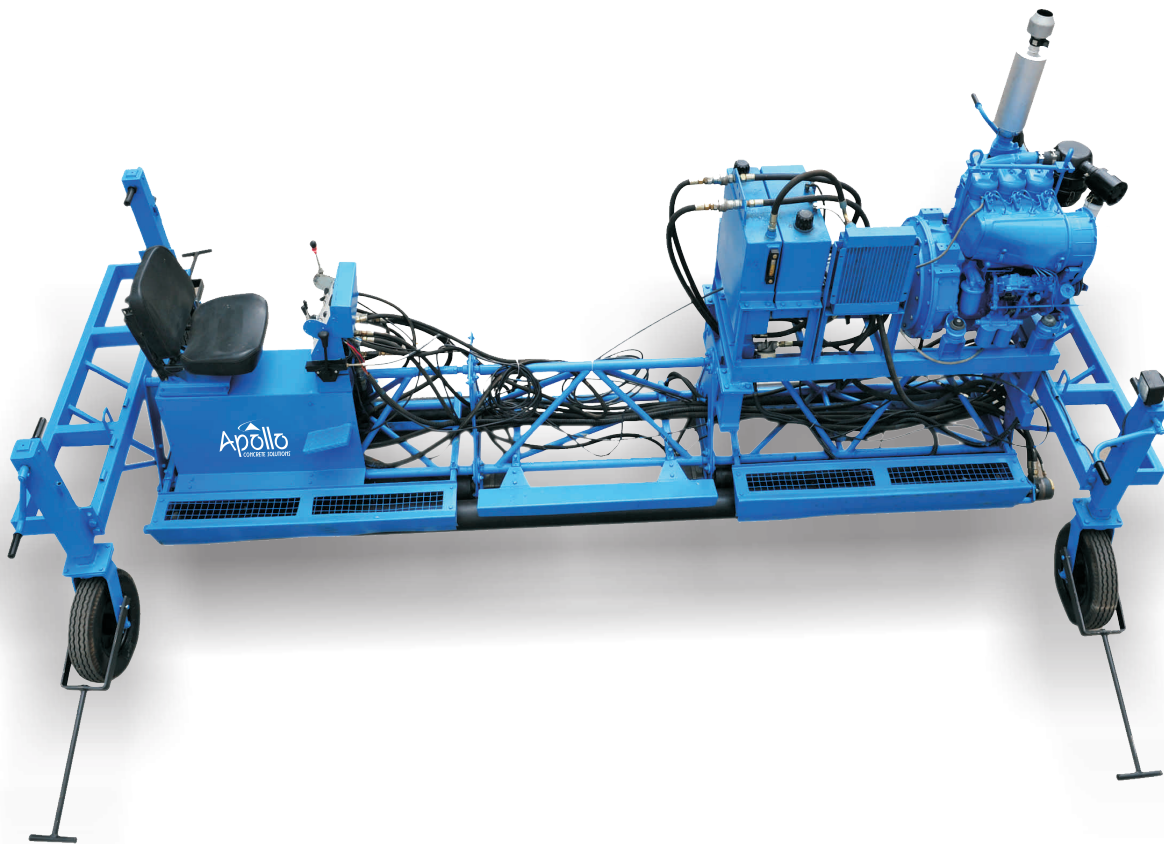


[www.apolloinfratech.com](http://www.apolloinfratech.com)

Paving the way  
to progress  
and prosperity



● Fixed Form Concrete Paver

**Apollo**  
CONCRETE SOLUTIONS

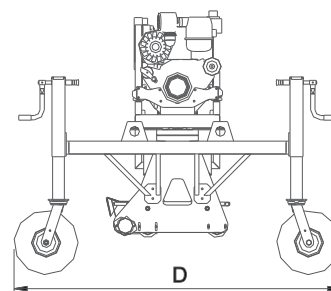
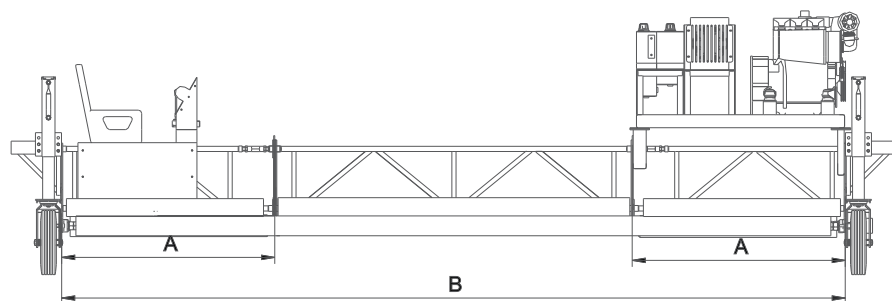
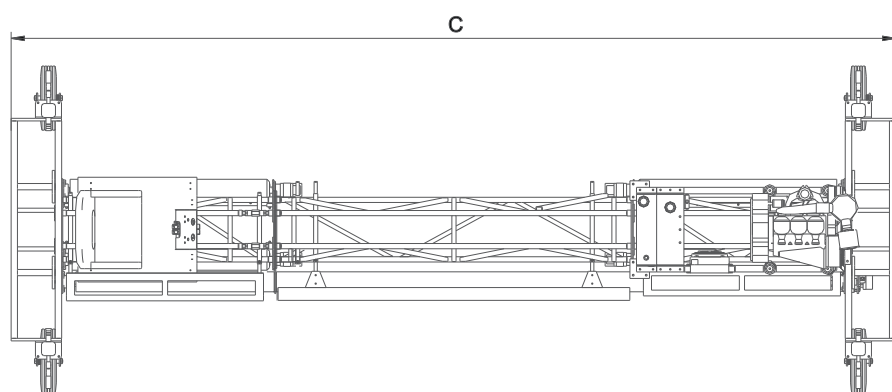
## Fixed Form Concrete Paver STP 5000, 10000 & 15000

### Technical Details

<b>PRIME MOVER</b>	<b>KOEL Ha394</b> <b>32 HP@1500 RPM</b>
<b>DRIVE TUBE SPEED</b>	<b>0-80 RPM</b>
<b>STRIKE TUBE SPEED</b>	<b>0-400 RPM</b>
<b>HYDRAULIC TANK CAPACITY</b>	<b>40 LTR</b>
<b>FUEL TANK CAPACITY</b>	<b>44 LTR</b>
<b>SCREW JACK WITH TYRES</b>	<b>4 NOS.</b>
<b>SUPPLY VOLTAGE</b>	<b>12 V DC</b>

### Features

- Available in three different lengths for different paving widths
- Finishing width up to 14.5 meter. Machine can finish up to 450 Sq. mtr / hour
- Frames are made from hollow sections.
- Hydraulic drive system for dependable operations.
- Control unit includes all hydraulics and mechanical drives.
- Steering is effortlessly and precisely controlled with levers governing two sets of drive tubes
- Four mechanical swivel type jacks with tires for height adjustment fitted at each end of structure. It also helps to position the paver on the forms as well travel in or out of panel area.
- Self mounted powerful halogen lamps recharged through battery.
- Multiple pass capability facilitates leveling of high spots and filling surface voids.



Paver Model	STP 5000	STP 10000	STP 15000
<b>Dimension</b>	<b>mm</b>	<b>mm</b>	<b>mm</b>
A	1500	1500	1500
B	5000	10000	15000
C	5600	10600	15600
D	2440	2440	2440

- With Apollo's policy of constant upgradation of products, specifications are subject to change without prior notice.
- Accessories shown here are optional and not the part of standard supply.



**Apollo Infratech Private Limited**  
 Ahmedabad-Mehsana State Highway, Village: Rajpur 382740,  
 Taluka: Kadi, Dist: Mehsana, Gujarat, INDIA  
 Tel: +91 2764 232217, Fax: +91 2764 233117,  
 E-mail: sales@apolloinfratech.com

[www.apolloinfratech.com](http://www.apolloinfratech.com)