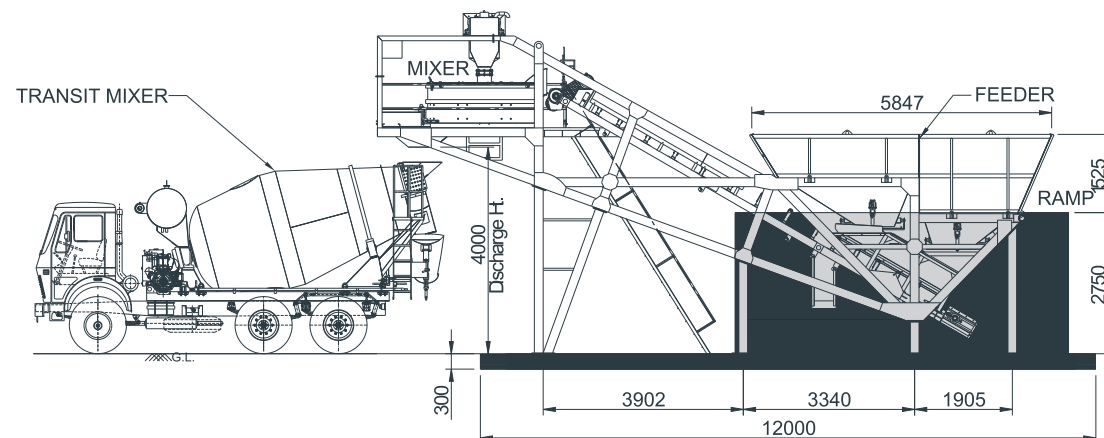
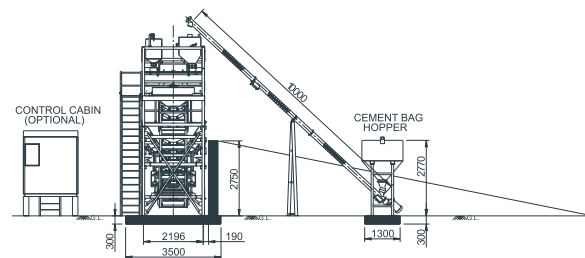




Compact Design Quality Concrete

Technical Specifications for ATP 25 & 31

MODEL	ATP 25	ATP 31
1. Concrete Output/hr (Under ideal condition and continuous operation)	25 m ³	30 m ³
2. Aggregate Storage System	Compartment Bin	Compartment Bin
a. Aggregate Storage Bins / Capacity	4 Nos./ 16 m ³	4 Nos./ 16 m ³
b. Vibrator Motor	1 No.	1 No.
3. Aggregate Weighing System & Conveying		
a. Weighing Hopper	Yes	Yes
b. Electromagnetic Load Cell	4 Nos.	4 Nos.
4. Mixer Unit		
a. Type	Pan/Planetary	Pan/Planetary/ Twin Shaft
b. Capacity	600 / 400	750 / 500
c. Side & Bottom Lining	Anti Wear	Anti Wear
d. Mixing & Side Scrapper Blade	Anti Wear	Anti Wear
5. Cement / Flyash Weighing System		
a. Cement / Flyash Hopper Capacity	200 kgs.	300 kgs.
b. Electromagnetic Load Cell	3 Nos.	3 Nos.
c. Vibrator Motor	1 No.	1 No.
6. Cement Screw conveyor with Bag Hopper	Optional	Optional
7. Pneumatic System : Air Compressor	2 hp	2 hp
8. PLC Based Control Panel	Yes	Yes
9. Water Weighing System		
a) Water Hopper Capacity	200 Ltr.	200 Ltr.
b) Electro Magnetic Load Cell	1 Nos.	1 Nos.
10. Additive System	Optional	Optional
a) Weighing Container Capacity	5 ltrs.	5 ltrs.
b) Loadcell	1 no.	1 no.
11. Connected Load for Standard Plant - HP / Kva	50 / 59	55 / 64

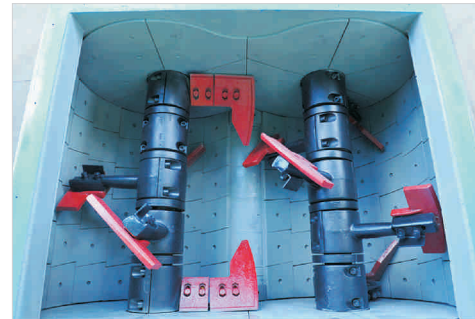


- With Apollo's policy of constant upgradation of products, specifications are subject to change without prior notice.
- Accessories shown here are optional and not the part of standard supply.



Twin Shaft Mixer

- Most advanced mixing solution capable of handling from high to zero slump concrete
- The floor and full wall of the mixer are lined with special wear-resistant and replaceable plates Long service life and low operating cost
- Emergency manual discharge facility
- Its robust design ensures high reliability



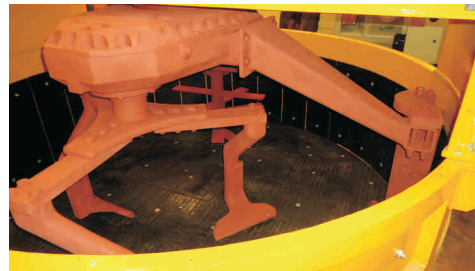
Pan Mixer

- Newly designed Pan Mixer with side and in side scrapper for perfect mixing.
- The floor & full wall of the mixing cylinders are lined with special wear resistant and replaceable plates.
- Long service life and low operating cost.
- Detachable arms & easy fittings
- Easy for maintenance
- Rubber line scraper



Planetary Mixer

- Italian designed SICOMA make Planetary Mixers.
- Large pan volume mixer small to full capacity loads with equally fast mixing and discharge times. More Production per hour.
- Compulsory mixing action gives better strength to concrete.
- Triple armed stars give faster more through mixing action.
- Anti wear liner tiles are harder and giving much longer life. More years of production.
- Hydraulically operated rubber Sealed discharge door eliminate leakage, close reliably every time. Manual lever backup.



PLC based control panel with cabin

- PLC based panel with HMI display
- All Motors are protected through MPCBs
- Ammeters for all Critical Motors
- Easy to calibrate scale
- Facility for life long data saving in USB
- Auto offset facility
- Accurate, reliable & easy to use
- Gate Inching facility for more weighing accuracy
- Auto-Manual & Manual-Auto operation
- High Speed Weighing



Compact Batching Plant : ATP 25 & 31 PNC/TSC/PLC

Benefits

- Robust and steady structure made from square and rectangular tube for longer durability and protection from corrosion
- Easy and quick to erect and operate
- No foundation required
- Less space required for installation due to its compactness
- Easy maintenance and low running cost
- Single Weighing and conveying belt for faster cycle time for more output
- MPCB are provided for all electrical motor safety
- Cover is provided to every electrical motor for protection against dust and water
- Quick exhaust valve fitted with all Pneumatic Cylinders to maintain accuracy in weighing system

Standard Supply

Compartment type aggregate storage bins
Weighing bin and conveyor
Cement bag filling hopper with screw conveyor
PLC base control panel with HMI display
Cement weighing hopper
Water weight Hopper
Air compressor

On Request

Storage silo for cement / fly ash
Silo accessories
Silo feeding system
Admixture dosing system
Control cabin
Water Connection
Printer

